

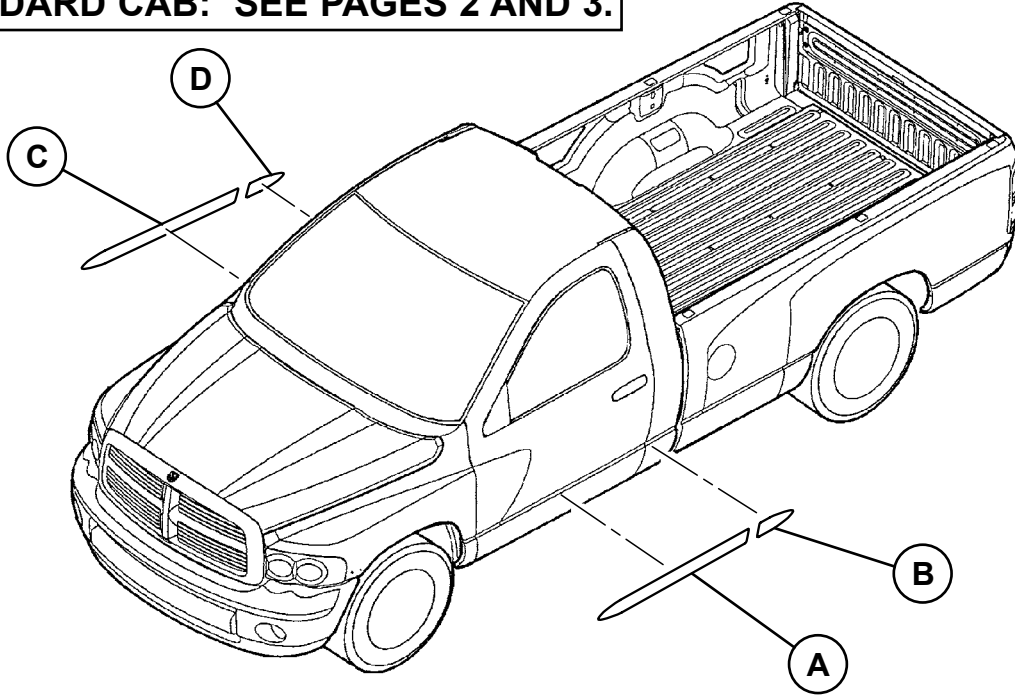


MOPAR®

# DODGE RAM TRUCK

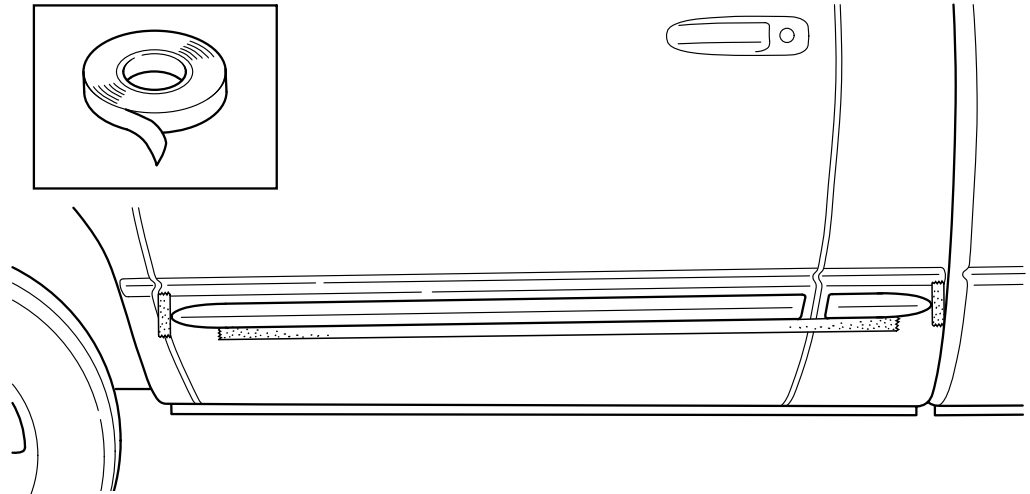
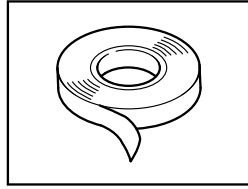
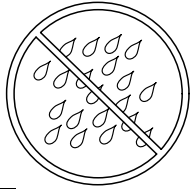
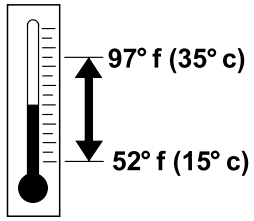
## Chrome Door Mouldings

**STANDARD CAB: SEE PAGES 2 AND 3.**



**QUAD CAB: SEE PAGES 4 AND 5.**

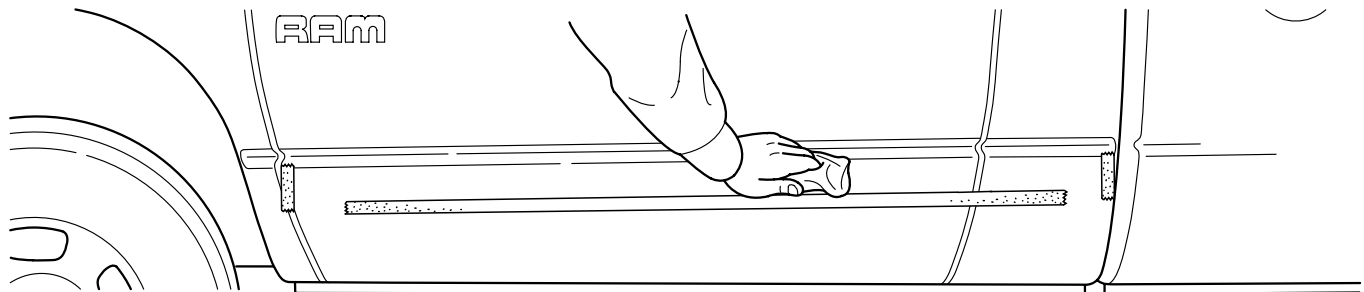
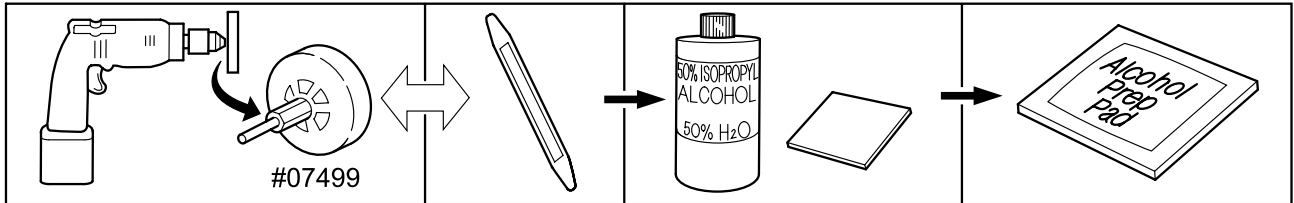




**1**

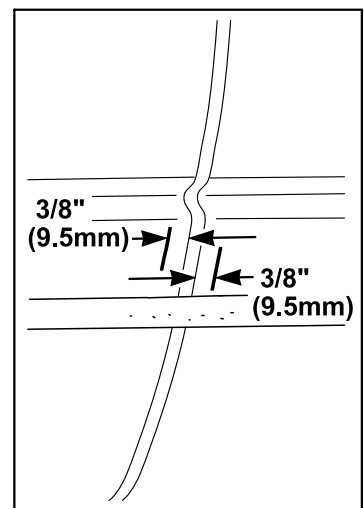
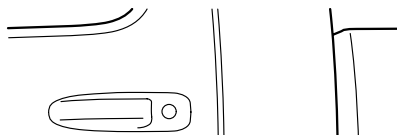
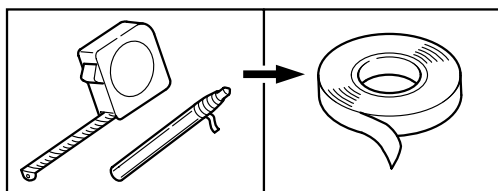
**2**

IF VEHICLE HAS FACTORY INSTALLED MOULDINGS, APPLY MASKING TAPE AS SHOWN.



**3**

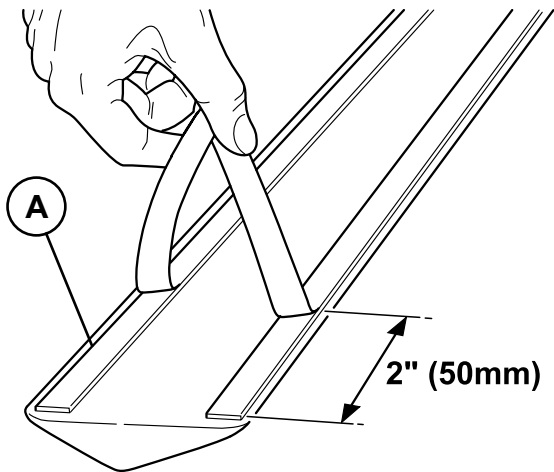
REMOVE EXISTING MOULDINGS AND ADHESIVE RESIDUE.



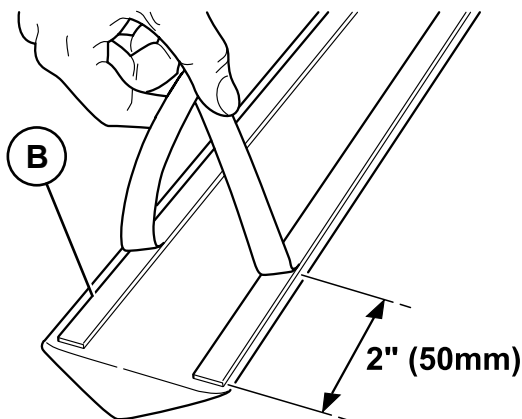
**4**

IF VEHICLE HAS NO MOULDINGS, MEASURE AS SHOWN AND APPLY MASKING TAPE.

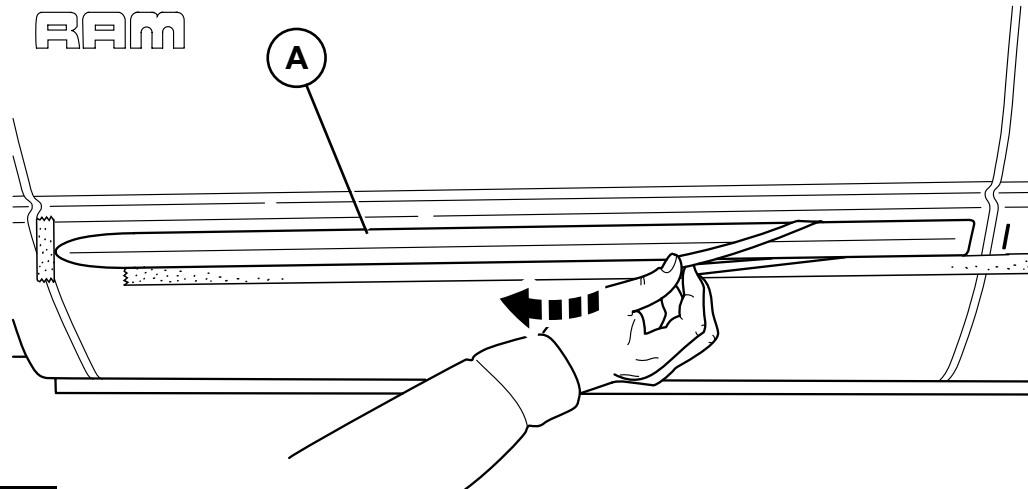
**STANDARD CAB**



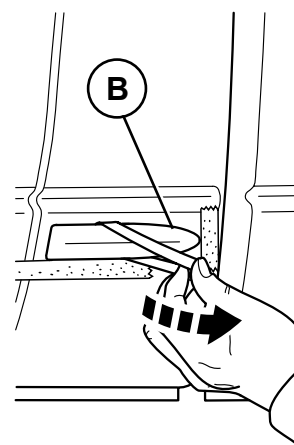
**5**



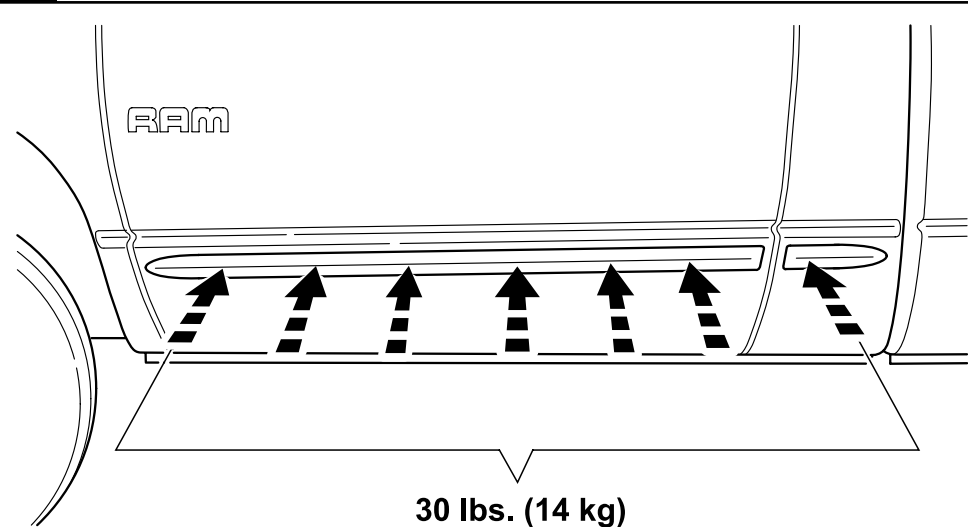
**6**



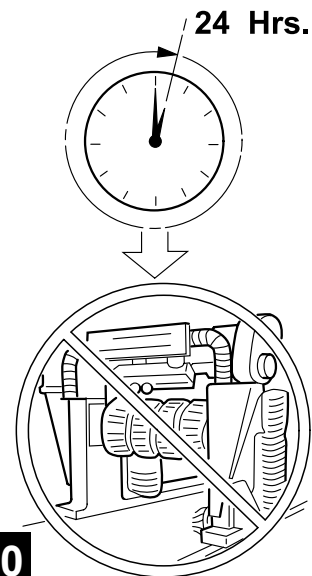
**7**



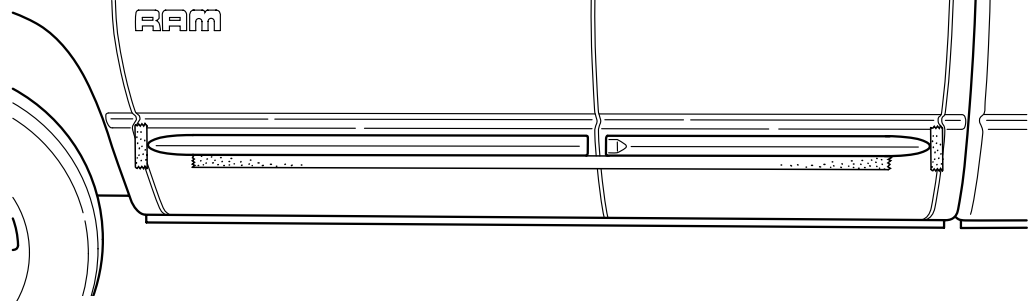
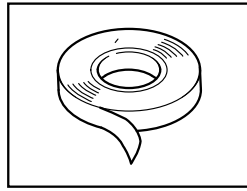
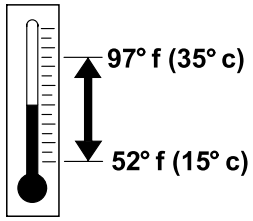
**8**



**9**

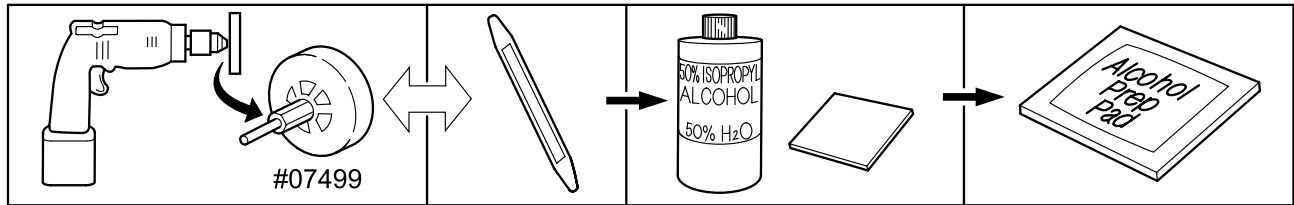


**10**

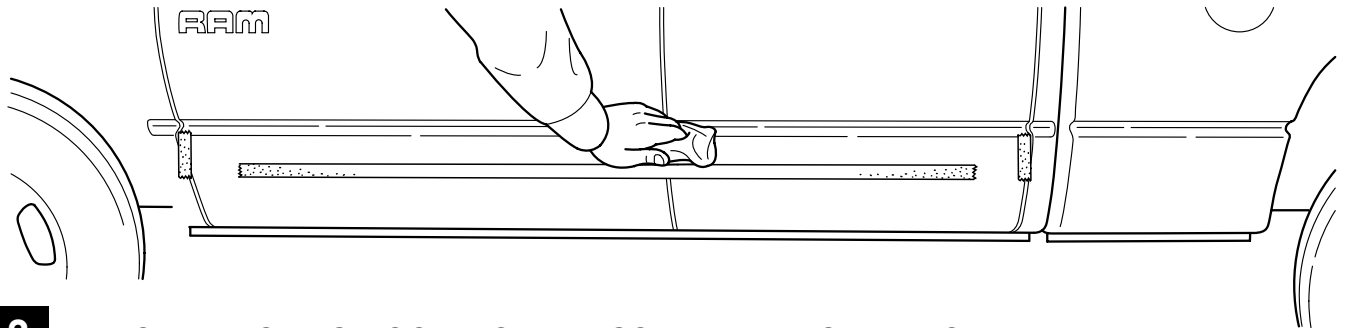


**2** IF VEHICLE HAS FACTORY INSTALLED MOULDINGS, APPLY MASKING TAPE AS SHOWN.

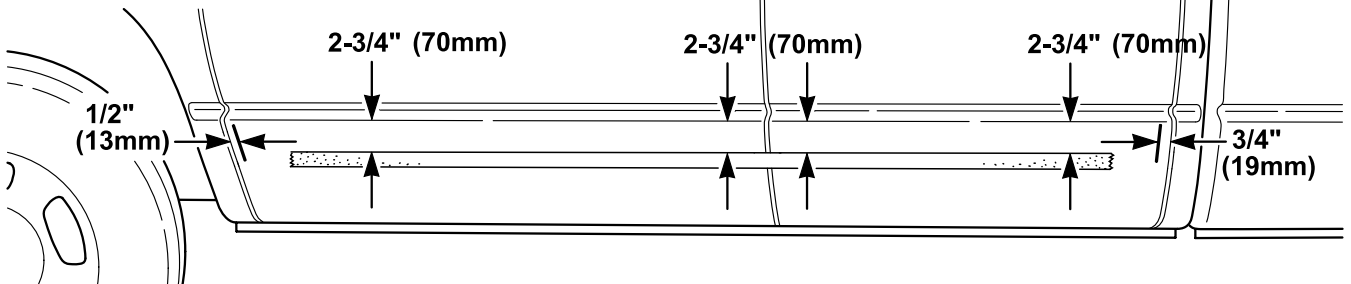
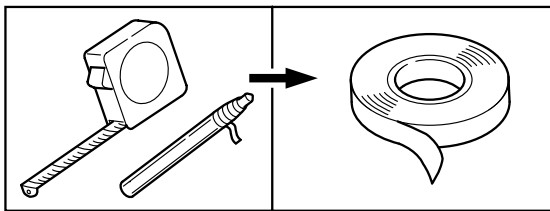
**1**



RAM

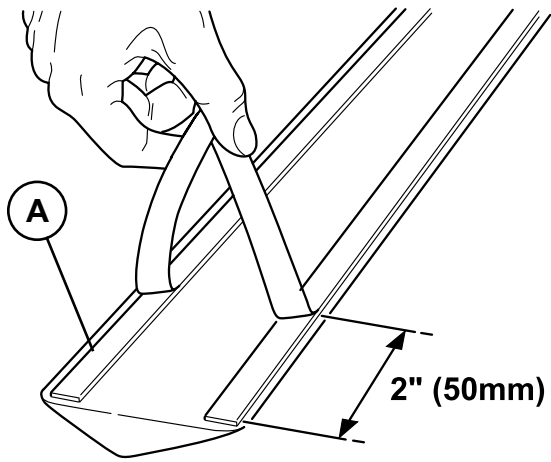


**3** REMOVE EXISTING DOOR MOULDINGS AND ADHESIVE RESIDUE.

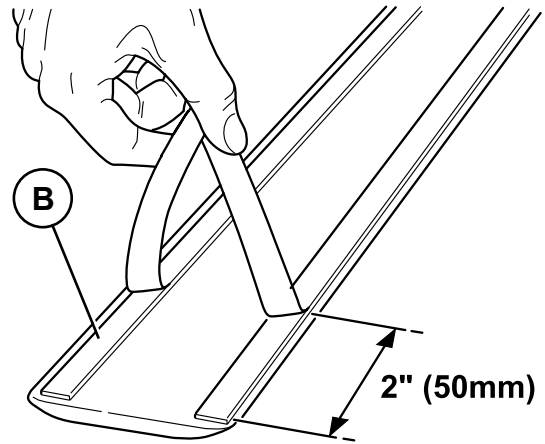


**5** IF VEHICLE HAS NO MOULDINGS, MEASURE AS SHOWN AND APPLY MASKING TAPE.

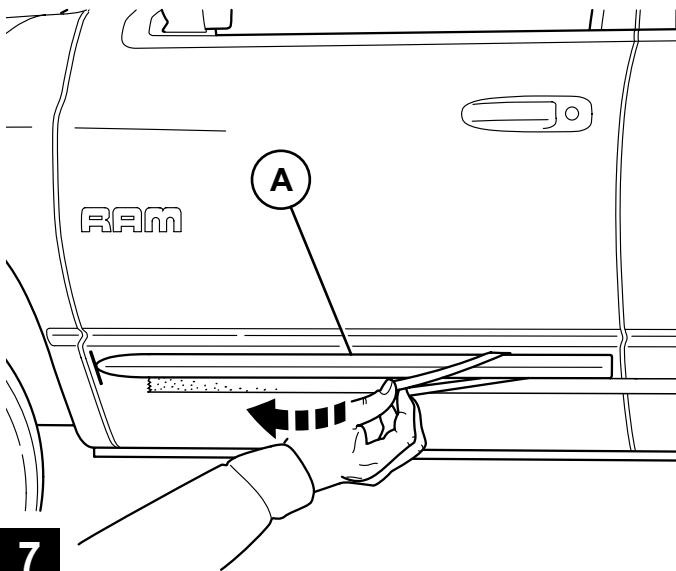
# QUAD CAB



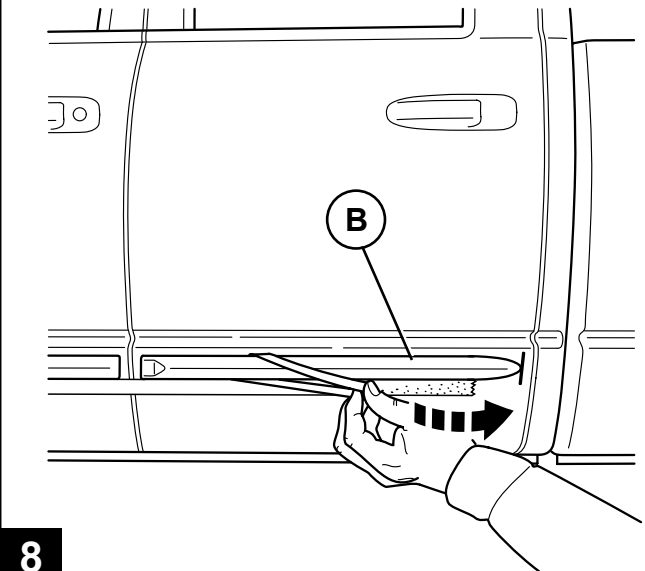
5



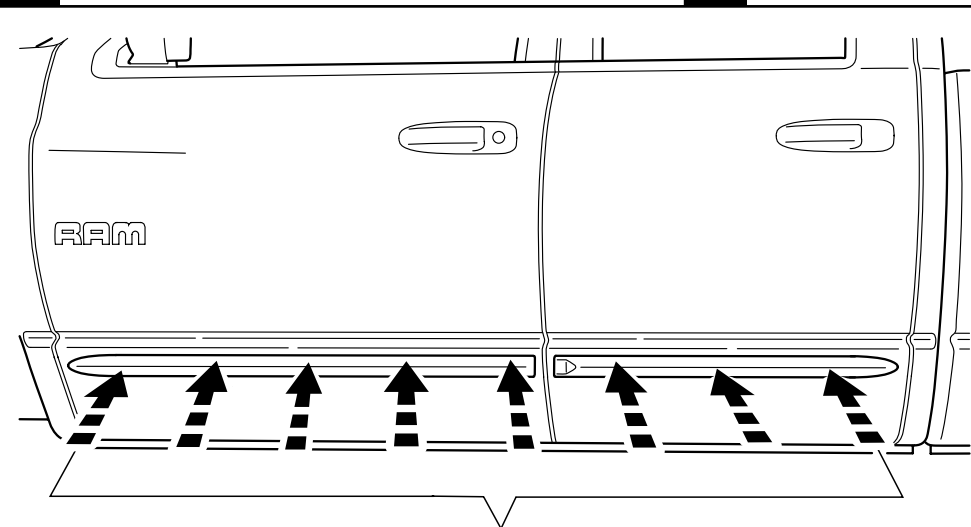
6



7

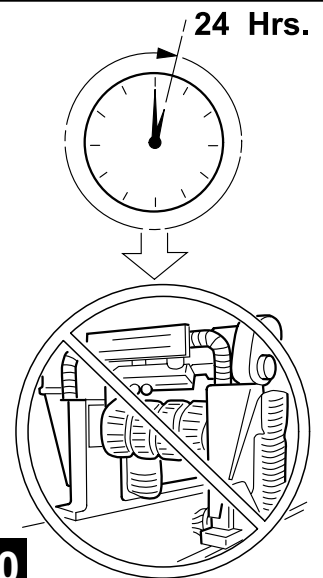


8



9

30 lbs. (14 kg)



10