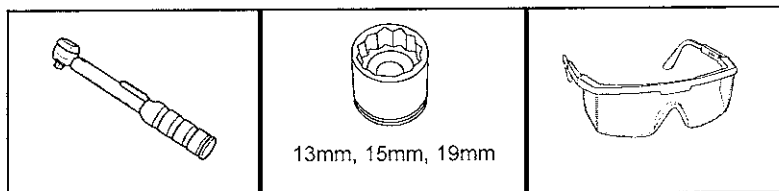
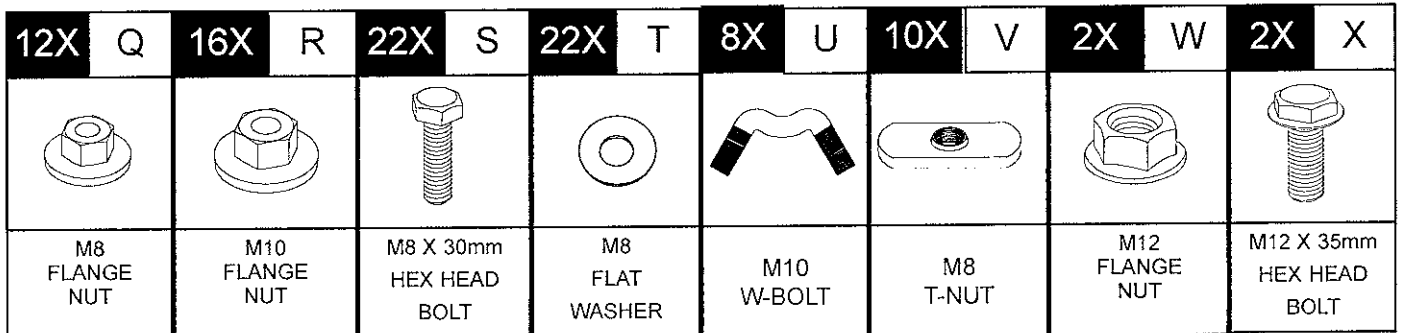
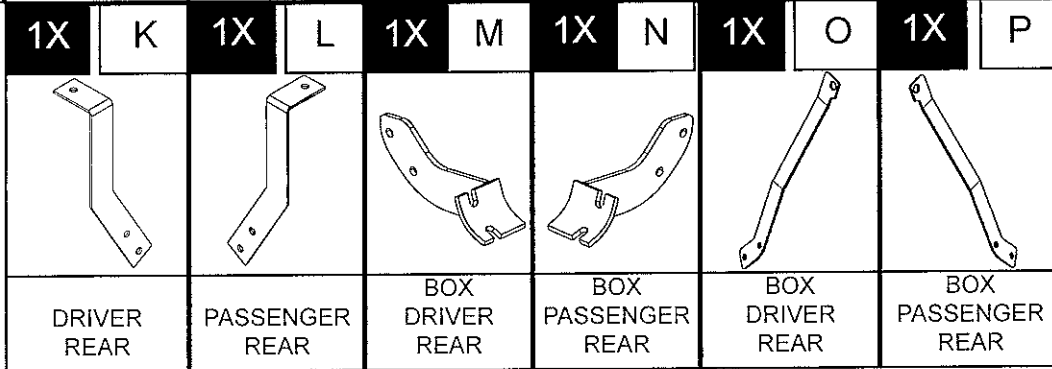
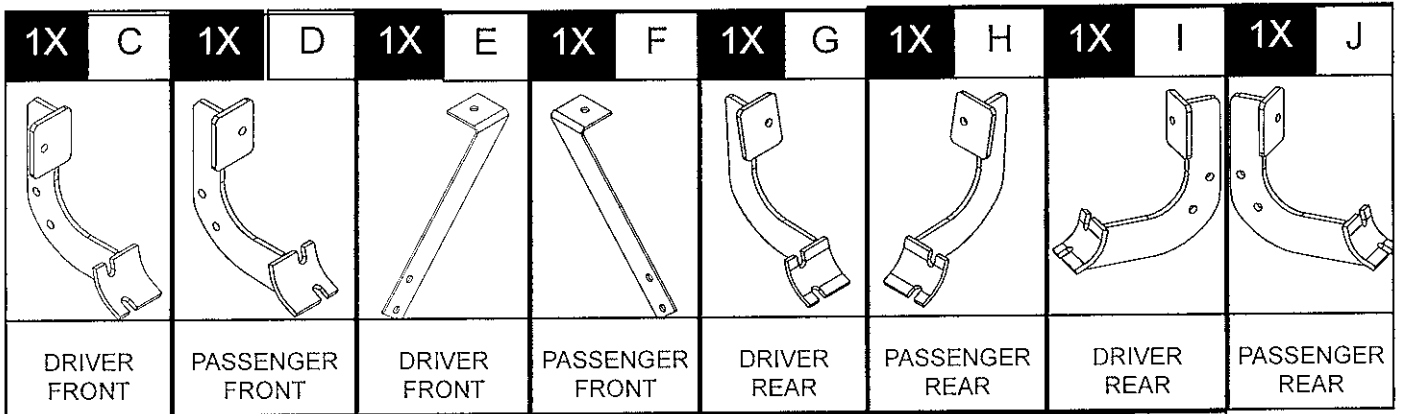
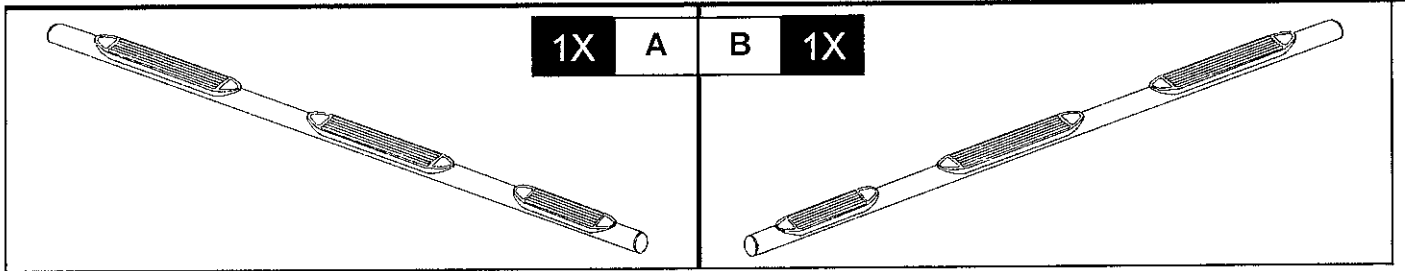




DODGE RAM MEGA CAB WHEEL TO WHEEL SIDE STEP  
 ESTRIBO DODGE RAM MEGACAB  
 ESQUIVER LE mémoire RAM MEGA ROUE DE TAXI POUR POUSSER L'ETAPE LATERALE

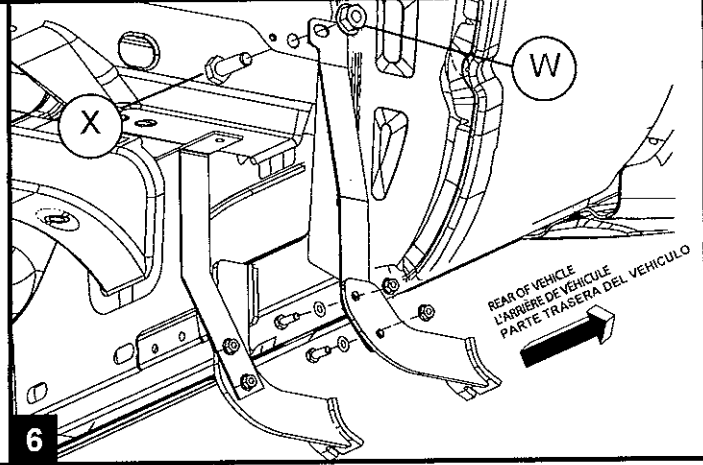
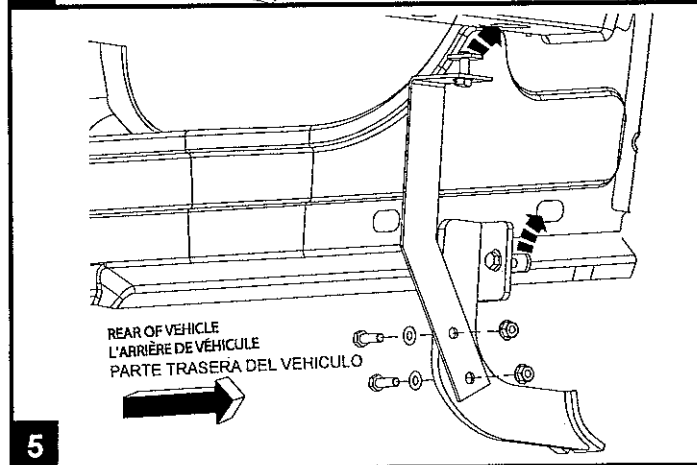
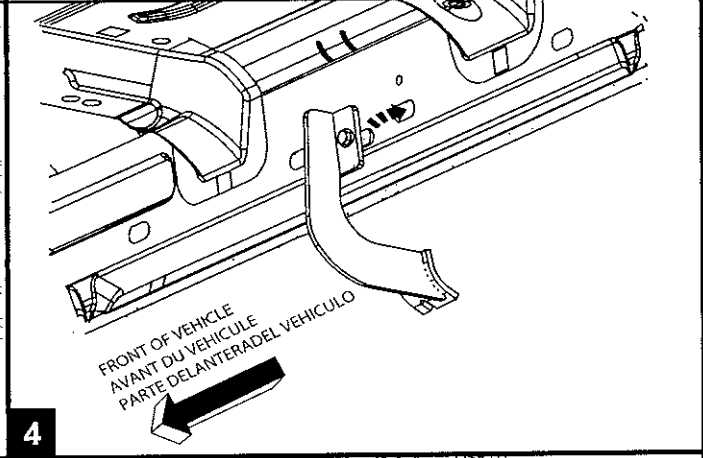
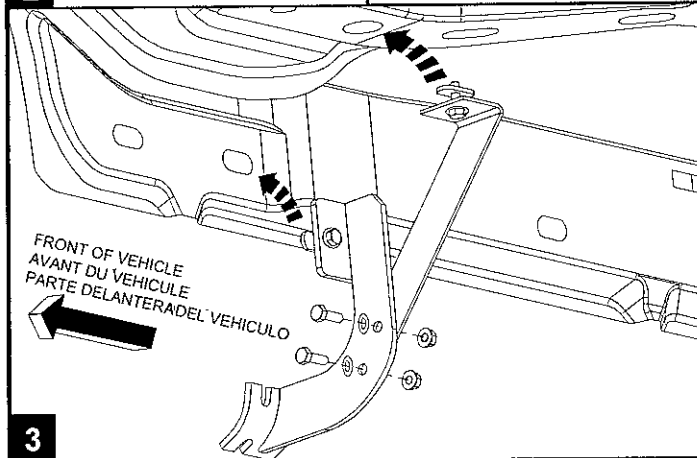
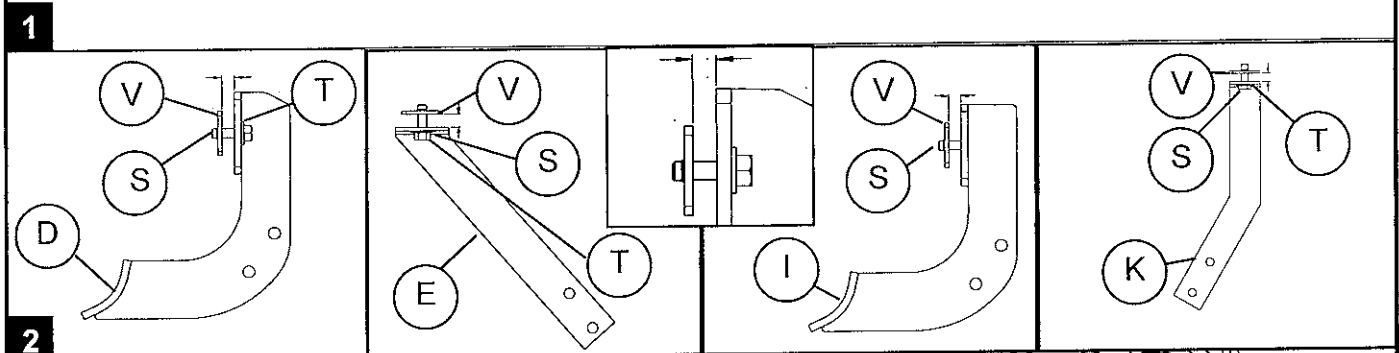
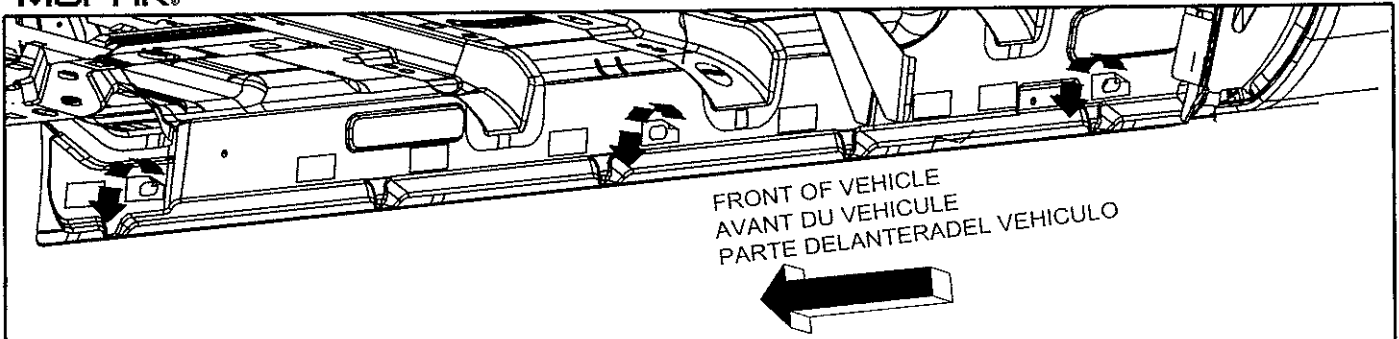
MOPAR®

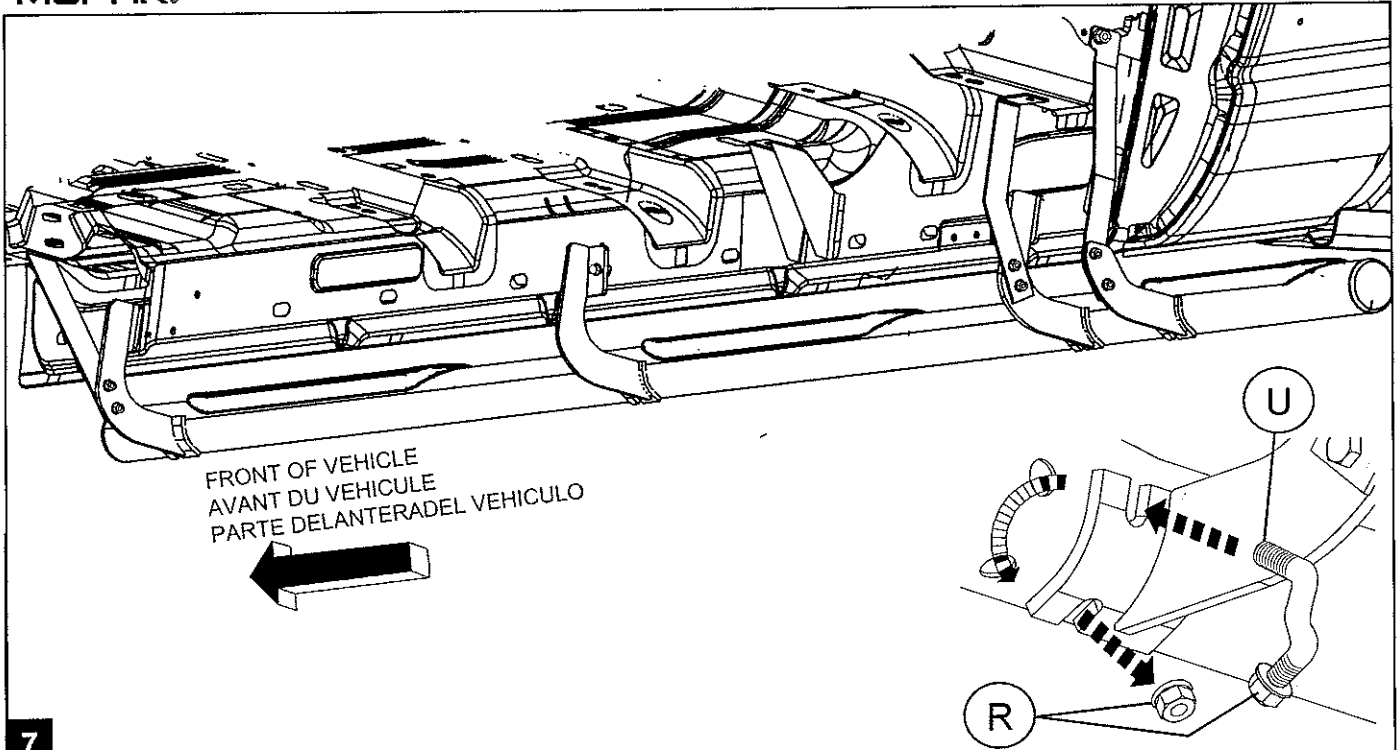




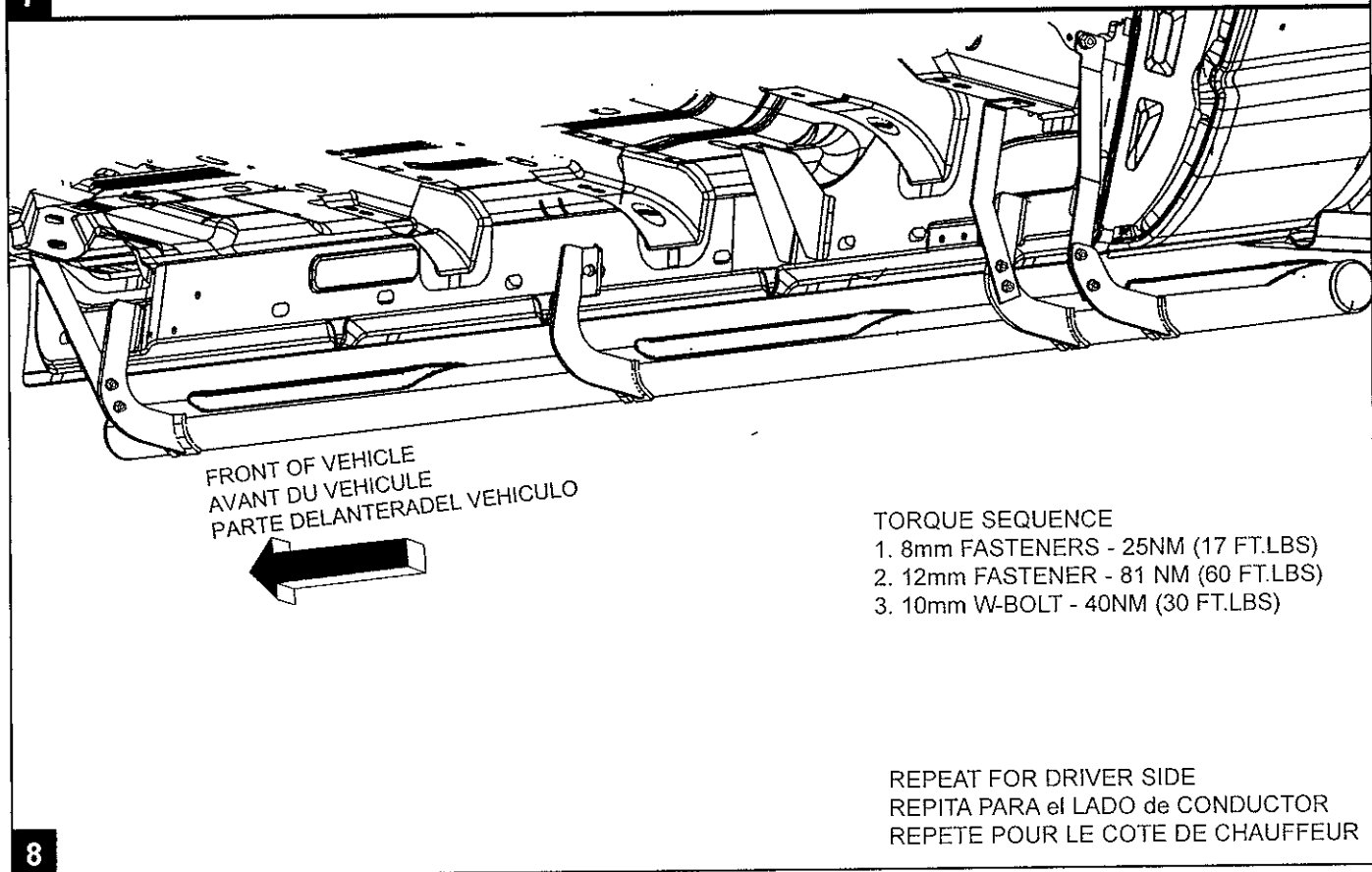
MOPAR.

PASSENGER SIDE SHOWN  
EI LADO del PASAJERO MOSTRADO  
LE PASSAGER PREND PARTI MONTRE





7



8

- TORQUE SEQUENCE
1. 8mm FASTENERS - 25NM (17 FT.LBS)
  2. 12mm FASTENER - 81 NM (60 FT.LBS)
  3. 10mm W-BOLT - 40NM (30 FT.LBS)

REPEAT FOR DRIVER SIDE  
REPITA PARA el LADO de CONDUCTOR  
REPETE POUR LE COTE DE CHAUFFEUR