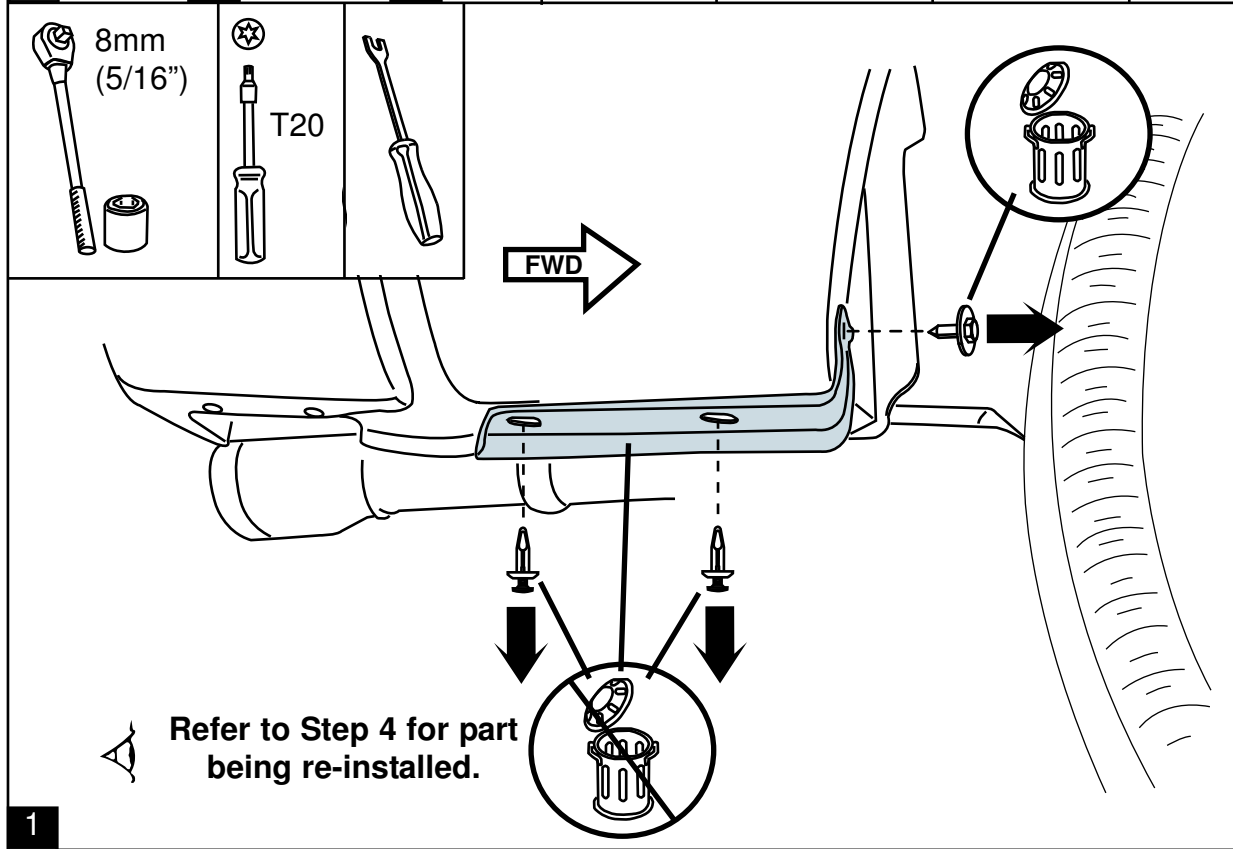
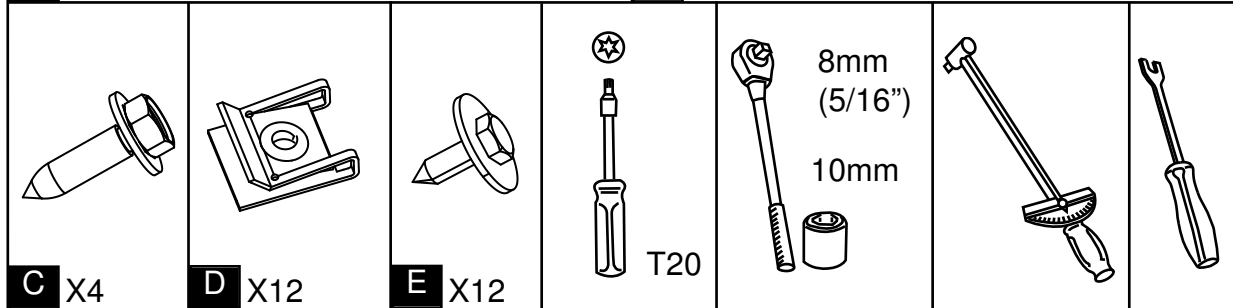
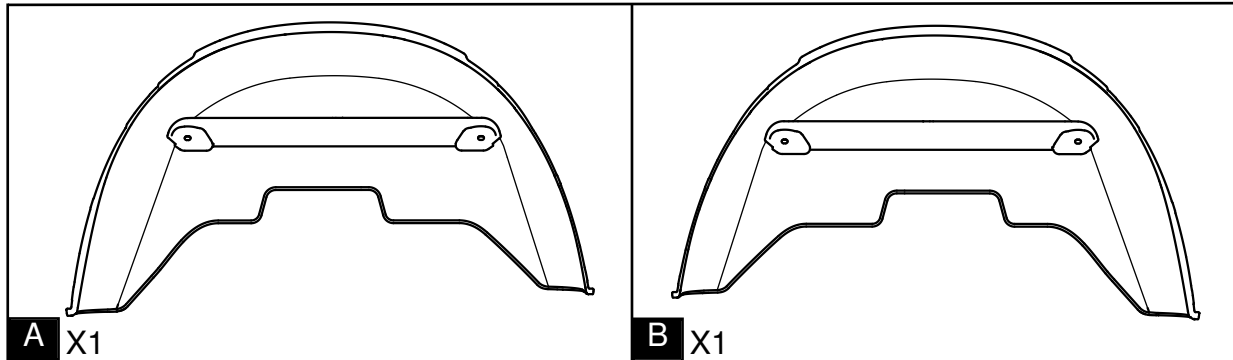


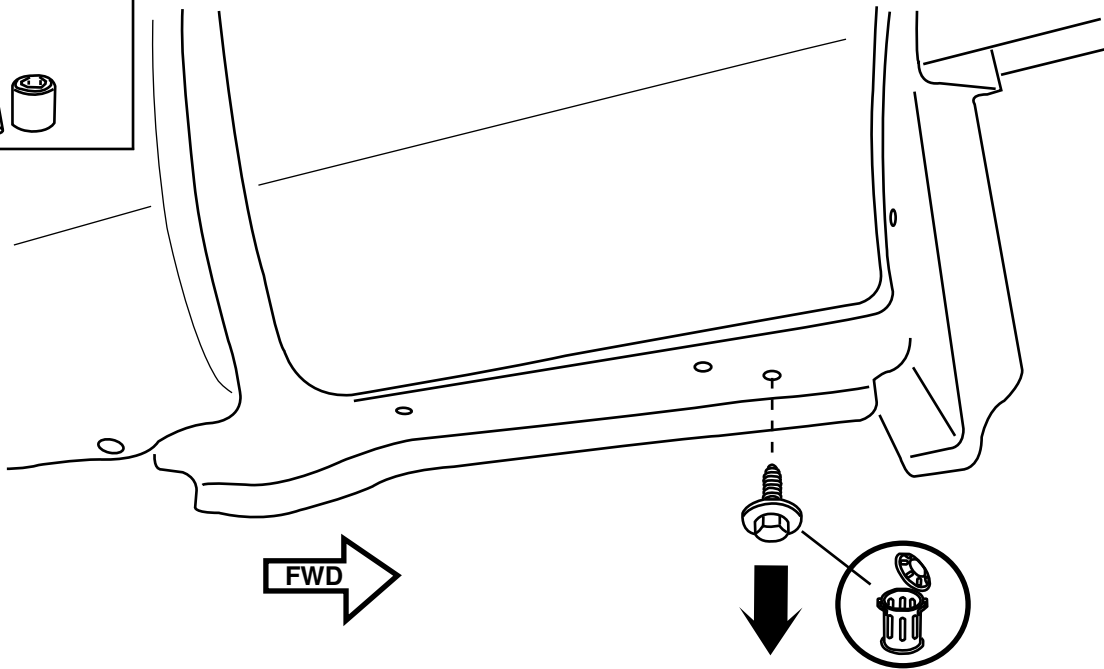


Dodge Ram

Wheel Well Liner



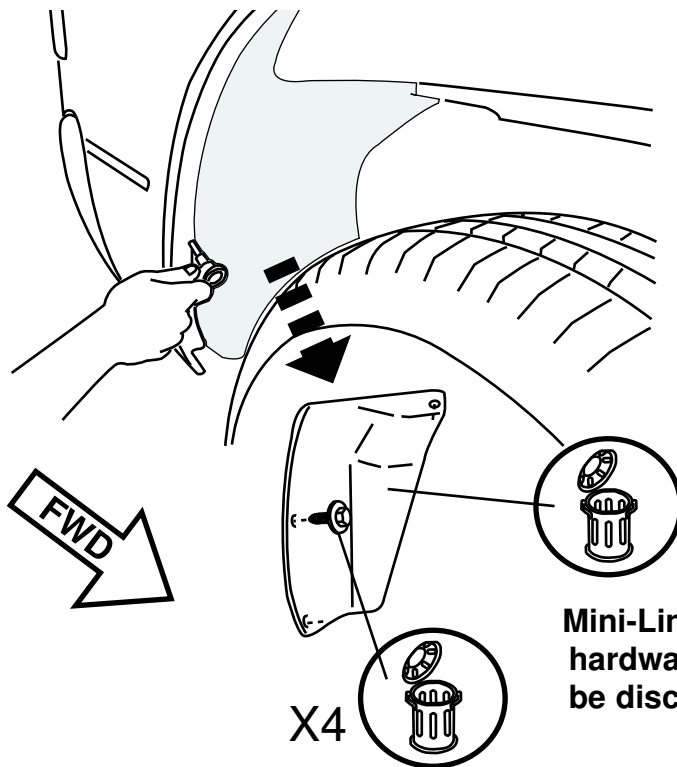
8mm
(5/16")



Screw will not be re-used.

2

8mm
(5/16")



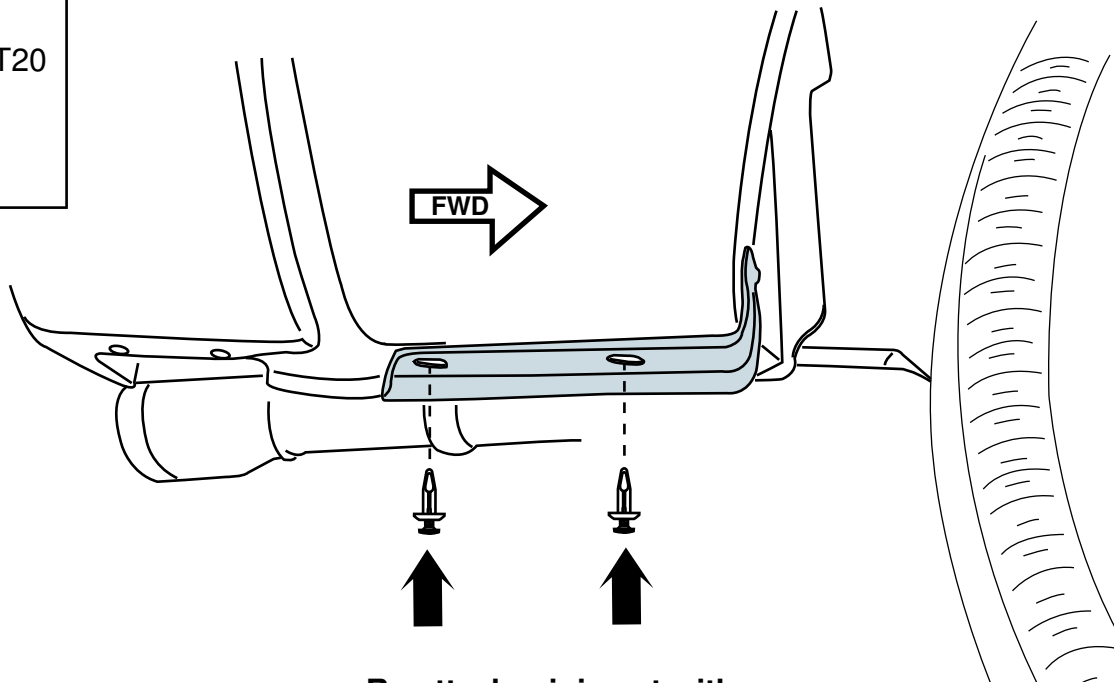
**Mini-Liner and
hardware can
be discarded.**

X4

3

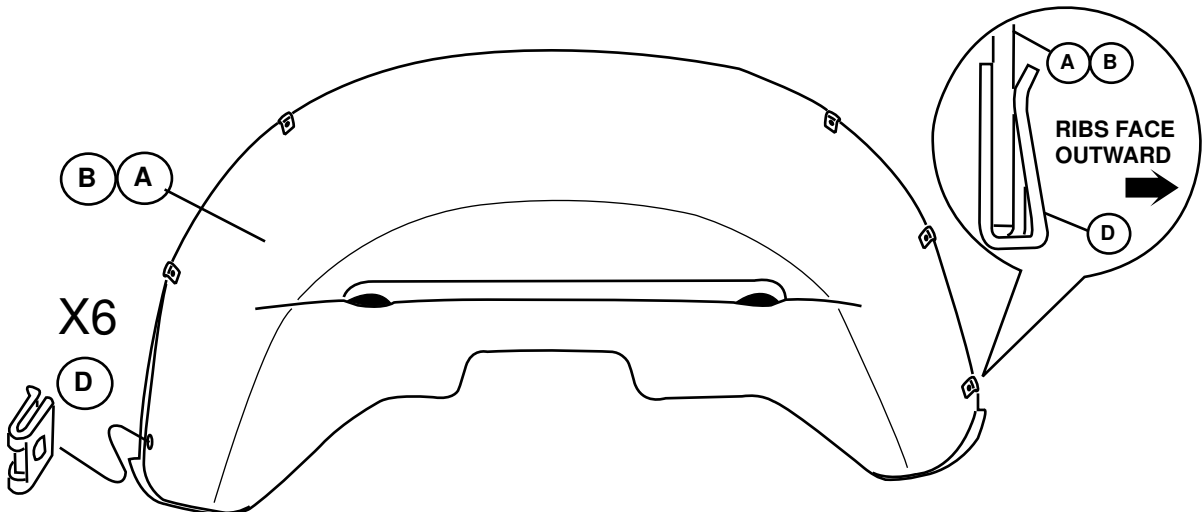


T20



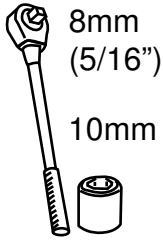
Re-attach mini-spat with
screws only, kept from
Step 1.

4



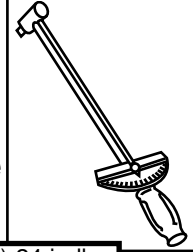
Attach spring clips to wheel liner.

5



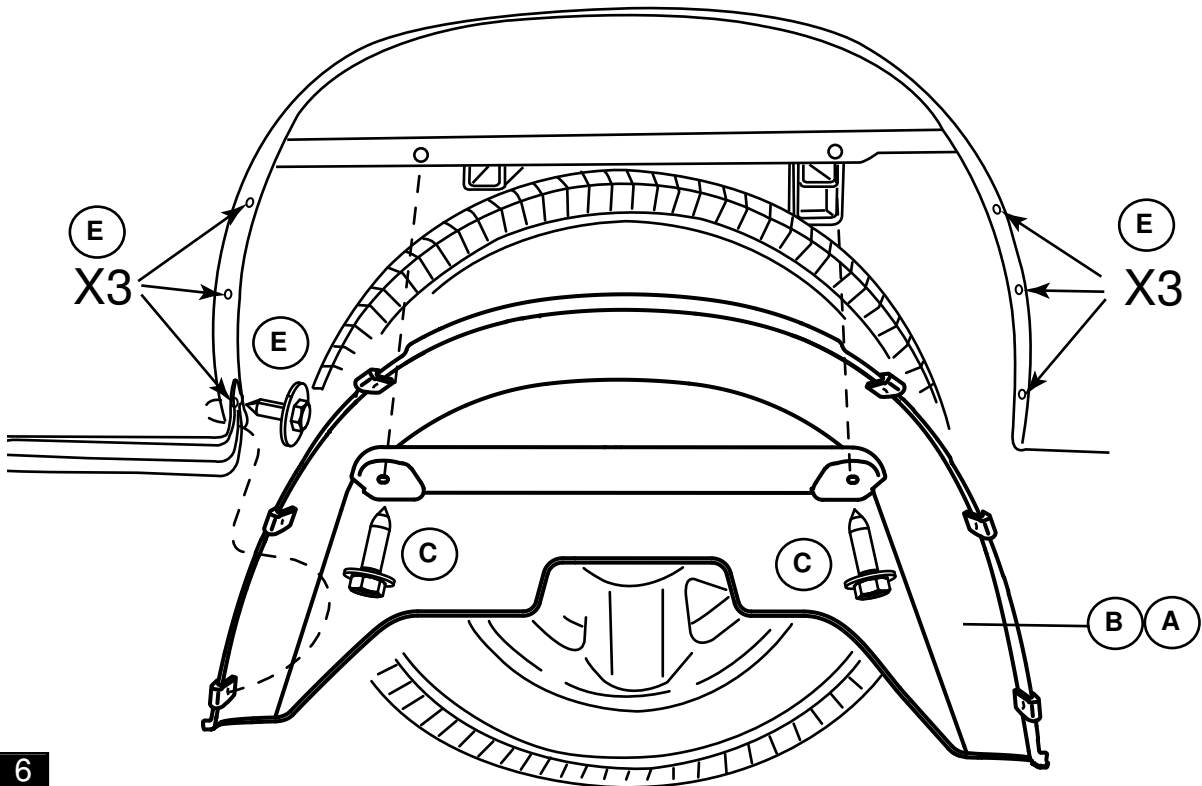
Do Not use power tools to avoid stripping threads in the hardware.

Do Not Over Torque The Fasteners.



2.7 (N.m) 24 in-lb

After install of Wheel Well Liner over the tire, rotate liner rearward then up and forward into position.



6

GB NOTE: Repeat steps 1-6 on the other side

F NOTE: Répétez les étapes 1-6 pour l'autre côté

E NOTA: Repita estos pasos 1-6 en otro lado

G ANMERKUNG: Wiederhole Schritte 1-6 auf der piher Seite

7