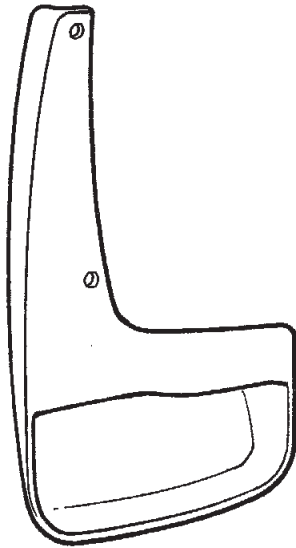




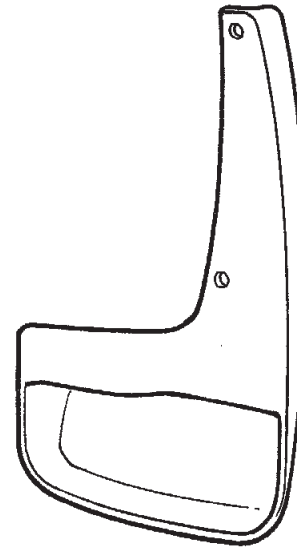
# CHRYSLER/DODGE Rear Splashguard

Rear Right

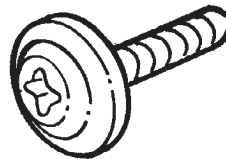


**A**

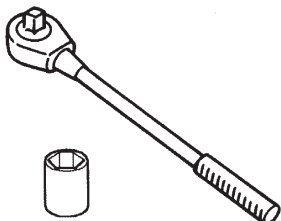
Rear Left



**B**



**C** 2X



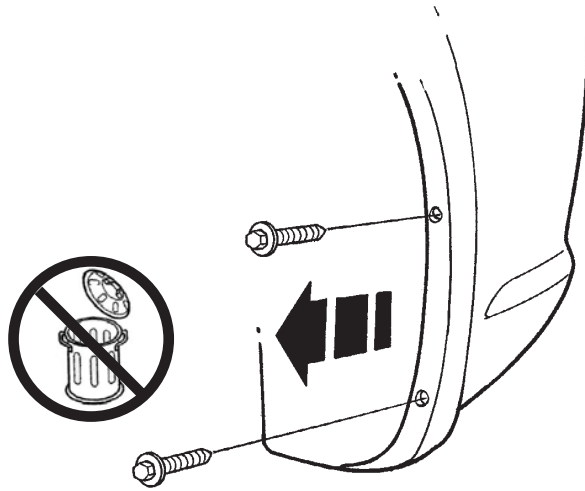
7mm  
Socket/Driver



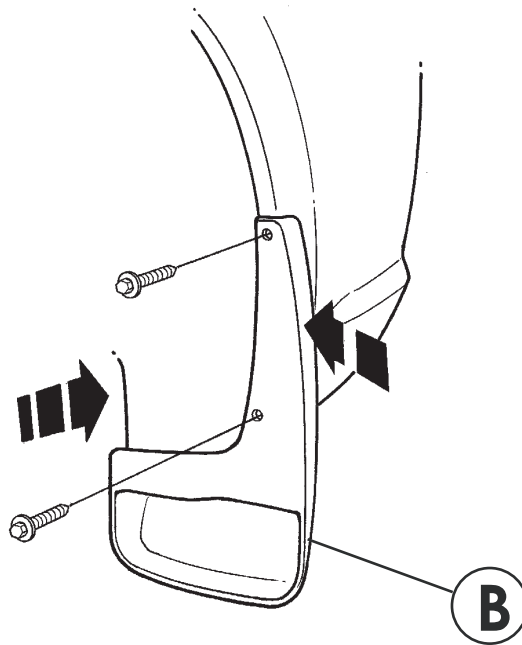
3/32" (2.5 mm)



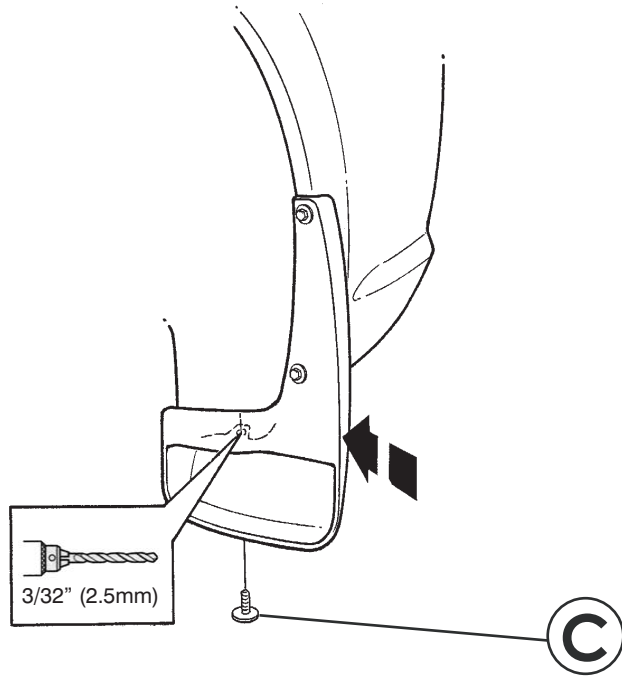
#2



**1**



**2**



**3**